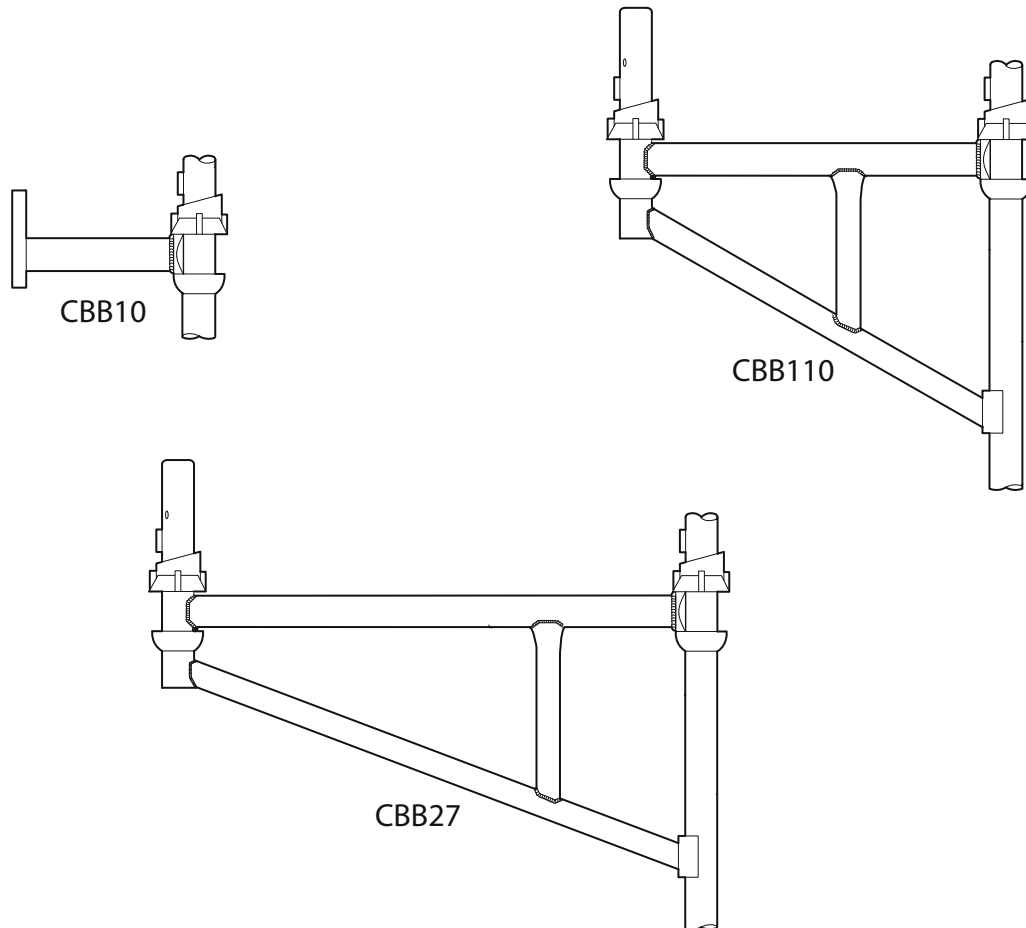




universal
Scaffolding

Cuplock Side Brackets

PRODUCT INFORMATION SHEET



Product Code	Description	Nominal Length		Weight	
		Inches	Meters	Lbs.	Kg.
CBB10	One Board Side Bracket	11	0.28	3.2	4.3
CBB110	Two Board Side Bracket	22	0.56	11.6	4.6
CBB27	Three Board Side Bracket	31	0.79	14.4	5.9